



# 8400K

DIGITAL  
OPTICAL  
MICROMETER

Fast, Reliable and Repeatable

## Damage Inspections

- Depth Measurement
- Damage Assessment

**Take the guesswork out of visual inspection.**

The 8400K Optical Micrometer is practical, affordable, improves safety and reduces costs. It is an indispensable tool for applications where tolerances apply to the depth of surface damage.

### ▪ Eliminate Guesswork

For technicians to make sound assessments of part condition they need tools that produce quick, accurate and repeatable results. The 8400K allows "repair or replace" maintenance decisions to be made with absolute certainty.

### ▪ Safety and Resources

Accurate assessments of damage can prevent the dangerous use of substandard parts and the scrapping of serviceable parts.

### ▪ Portable and Versatile

The kit has interchangeable bases and lenses for use on almost any surface, including transparencies and composites. Use one tool to inspect many types of damage.

### ▪ Proven Track Record

The 8400K is trusted by MRO stations, FBOs, military bases, OEMs and laboratories around the world. Major customers include the USAF (Airforce, Army, Marines and Navy), Boeing, L-3 Communications, Northrop Grumman, Pratt & Whitney, Sikorsky, SpaceX and others. J Chadwick Co has been awarded numerous Federal contracts, including a GSA schedule.



### ▪ Inspect

Components  
Composites  
Leading Edges  
Masts  
Propellers  
Shafts  
Skins  
Rotors  
Threads  
Windshields

### ▪ Applications

Corrosion  
Cracks  
Crazing  
Dings  
Marking  
NDT  
Pitting  
Scratches  
Scribe Lines



**JCHADWICK**  
Innovative Inspection Solutions

Toll Free (866) 358-9955

[www.jchadwickco.com](http://www.jchadwickco.com)



# 8400K

**DIGITAL  
OPTICAL  
MICROMETER**

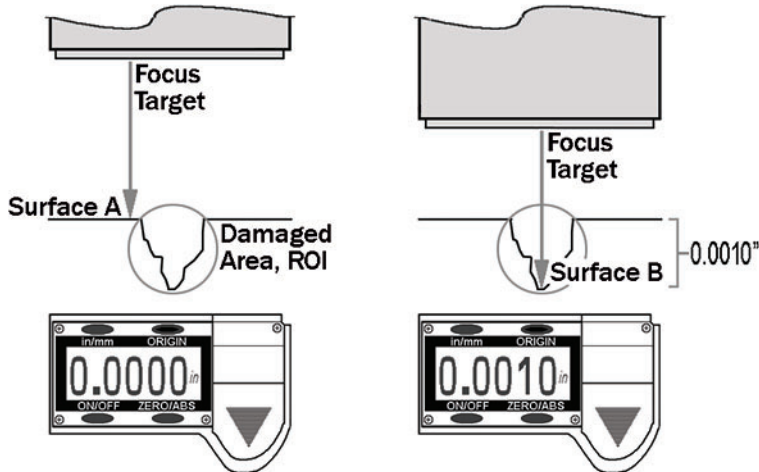
Fast, Reliable and Repeatable

## Damage Inspections

- Depth Measurement
- Damage Assessment

## How It Works

The Micrometer measures the distance between two points, or regions of interest (ROIs), located at different depths. To start, focus on the ROI on the good surface next to a scratch or pit. When the first surface is in sharp focus, set the display to zero with the touch of a button. Then, focus on the second ROI at the bottom of the scratch or pit. When the second surface is in sharp focus, the depth of the scratch (the distance between the two ROIs), is shown on the digital LCD display.



**Clear, Easy-To-Read Results**

### ▪ The 8400K Kit:

Digital Optical Micrometer  
3 Interchangeable Bases  
2 Eyepieces - 10X, 20X  
2 Objective Lenses - 4X, 10X  
Scratch Sample Plate  
LED Flashlight  
Case w/ Foam Insert

Kit Dimensions: 13" x 11" x 6"

Kit Weight: 6.5 LBS



### ▪ Specifications

Accuracy +/- 0.001" / 0.01mm

Magnification 80X-200X

Range 0.25" - 1.00"

### ▪ Federal Buyers

NSN 6650-01-220-8942

Cage Code 65956

GSA Contract# GS24F0043N



**Advantage!**  
www.gsaAdvantage.gov

### ▪ Commercial List Price **\$3,995.00**

Includes:

2 Year Warranty

Manufacturer's Certificate of Conformance

Certificate of Accuracy

ANSI/ISO Calibration Certificate + \$95.00



**JCHADWICK**  
Innovative Inspection Solutions

Toll Free (866) 358-9955

[www.jchadwickco.com](http://www.jchadwickco.com)